

Hauptstrasse 30, 4417 Ziefen

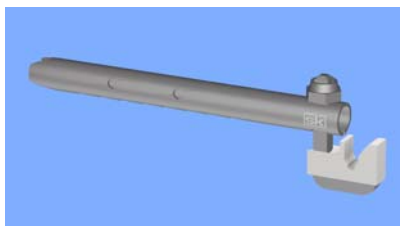
Telefon +41 61 935 20 20

Telefax +41 61 935 20 21

E-Mail [admin@konsolen.ch](mailto:admin@konsolen.ch)

[www.konsolen.ch](http://www.konsolen.ch)





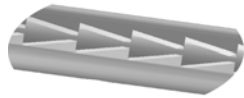
**Art. 106**

(RC1 & RC2 by VDI 6036)

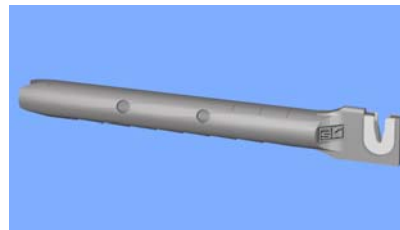
Drilling bracket Ø 14mm vertically adjustable, with sound-absorbing support, promatized

Length Order number

80 mm	106/08
110 mm	106/11
140 mm	106/14
160 mm	106/16
180 mm	106/18
200 mm	106/20
250 mm	106/25



view from below



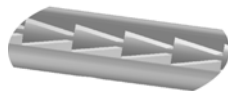
**Art. 107**

(RC1 & RC2 by VDI 6036)

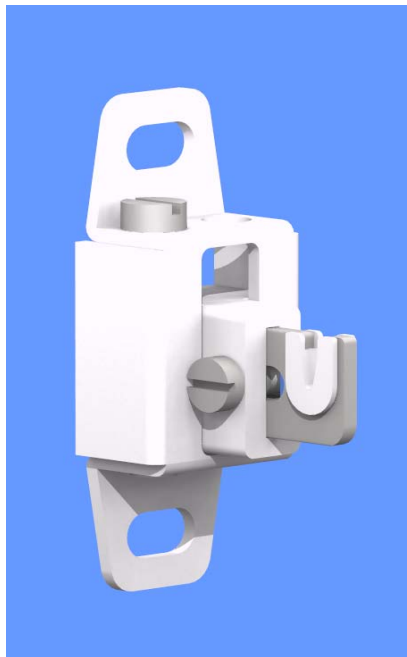
Drilling bracket Ø 14mm non-adjustable with sound-absorbing support, promatized

Length Order number

80 mm	107/08
110 mm	107/11
140 mm	107/14
160 mm	107/16
180 mm	107/18
200 mm	107/20
250 mm	107/25



view from below



**Art. 110**

(RC1 & RC2 by VDI 6036)

Sound-absorbing bracket for heating walls. 3D-adjustable, promatized or **(-W) thermo-coated white**

Wall distance Order number

33 - 48mm	110/3L
	<b>110/3L-W</b>
48 - 60mm	110/3R
	<b>110/3R-W</b>
	110/5L
	<b>110/5L-W</b>
	110/5R
	<b>110/5R-W</b>

Other colour on request



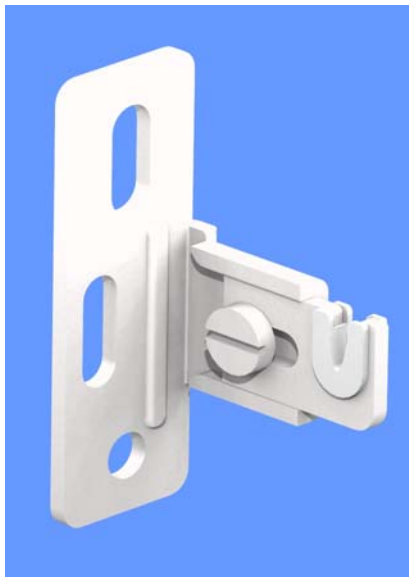
**KONSOLEN AG**

**CH-4417 ZIEFEN**

Hauptstrasse 30

Telefon +41 61 935 20 20

Telefax +41 61 935 20 21



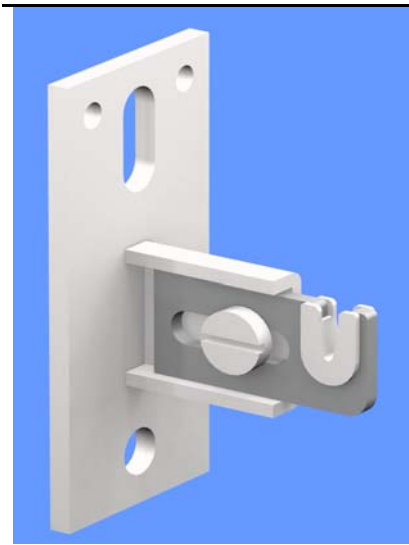
**Art. 111**

(RC1 & RC2 by VDI 6036)

Bracket for heating walls, wall distance adjustable, with sound-absorbing support, promatized or **(W) thermo-coated white**

Wall distance	Order number
30 - 36 mm	111/3 <b>111/3-W</b>
40 - 48 mm	111/4 <b>111/4-W</b>
50 - 58 mm	111/5 <b>111/5-W</b>

Other colour on request



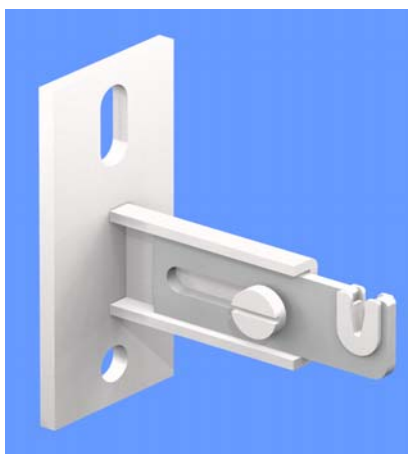
**Art.111/4-S**

(RC1 & RC2 by VDI 6036)

Bracket for heating walls, wall distance 40-55 mm, with reinforced baseplate and sound-absorbing support, promatized or **(W) thermo-coated white**

Wall distance	Order number
40 - 55 mm	111/4-S <b>111/4-S-W</b>

Other colour on request



**Art.111/6**

(RC1 & RC2 by VDI 6036)

Bracket for heating walls, wall distance 60-80 mm, with reinforced baseplate and sound-absorbing support, promatized or **(W) thermo-coated white**

Wall distance	Order number
60 - 80 mm	111/6 <b>111/6-W</b>

Other colour on request



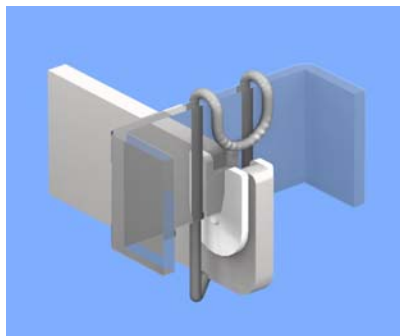
**Art. 117**

Corner bracket for heating walls with 4 fix wall distances of 10,30,40 and 50 mm, with sound-absorbing support, promatized or **(W) thermo-coated white**

(RC1 & RC2 by VDI 6036)

Version	Order number
left	117/L <b>117/L-W</b>
right	117/R <b>117/R-W</b>

Other colour on request



**Art.118**

Security stop for heating walls with plate heights of 12,15, 20 and 25 mm. Assembly only with art.107,111 and 135

(RC1 & RC2 by VDI 6036)

Plate height	Order number
12 mm	118/22
15 mm	118/25
20 mm	118/30
25 mm	118/35



**Art.126**

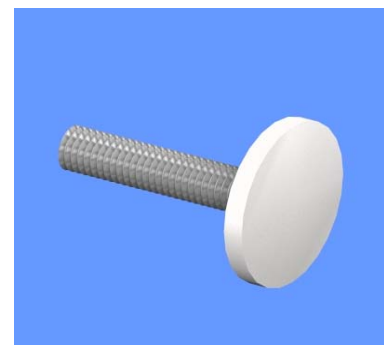
Bracket for heating walls with sound-absorbing support, wall distance 10 / 20 mm, promatized or **(W) thermo-coated white**

(RC1 & RC2 by VDI 6036)

	Order number
WA=10mm	126 <b>126-W</b>
WA=20mm	126/2 <b>126/2-W</b>

WA = wall distance

Other colour on request



**Art.132**

Distance piece for heating walls with screw thread M8

(RC1 & RC2 by VDI 6036)

Length	Order number
40 mm	132/4
50 mm	132/5
60 mm	132/6

Other length on request



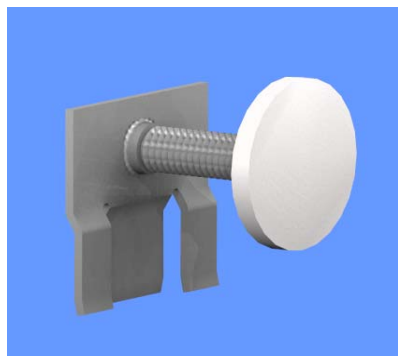
**KONSOLEN AG**

Hauptstrasse 30

Telefon +41 61 935 20 20

**CH-4417 ZIEFEN**

Telefax +41 61 935 20 21



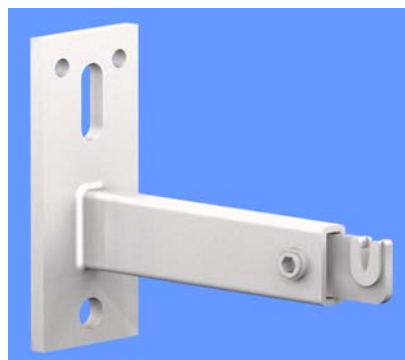
**Art.134**

Spacer (distance piece) for heating walls

(RC1 & RC2 by VDI 6036)

Length	Order number
40 mm	134/4
50 mm	134/5
60 mm	134/6

Other length on request



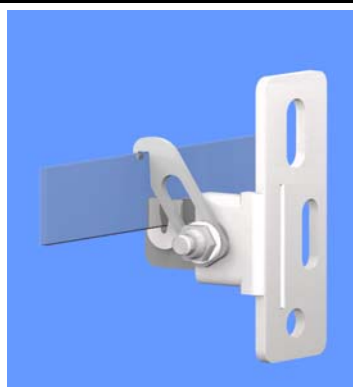
**Art.135**

Bracket for heating walls , wall distance 70-220 mm, with reinforced baseplate and sound-absorbing support, promatized or **(W) thermo-coated white**

(RC1 & RC2 by VDI 6036)

Wall distance	Order number
70-110 mm	135/06 <b>135/06-W</b>
110-170 mm	135/10 <b>135/10-W</b>
170-220 mm	135/15 <b>135/15-W</b>

Other colour on request

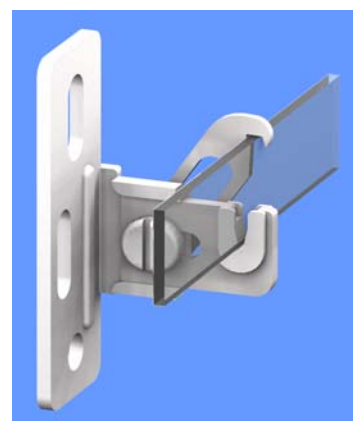


**Art.111-MSB**

Bracket for heating walls with security stop, suitable for all types of heating walls with plate heights 12-25mm, promatized or **(W) thermo-coated white**

(RC3 by VDI 6036)

Wall distance	Order number
30-36 mm	111/3-MSB <b>111/3-W-MSB</b>
40-50 mm	111/4-MSB <b>111/4-W-MSB</b>



Other colour on request



**Art. 111-C**

(RC1 & RC2 by VDI 6036)

Bracket for heating walls, suitable for profile rail art.190, with sound-absorbing support, promatized

Wall distance	Order number
49 - 55mm	111/3-C
59 - 67mm	111/4-C
69 - 77mm	111/5-C

Fastening material included

Thread base plate with clip-springs (460/M8 + hex-head screw M8x16(SR.5214)



**Art. 111/4-S-C**

(RC1 & RC2 by VDI 6036)

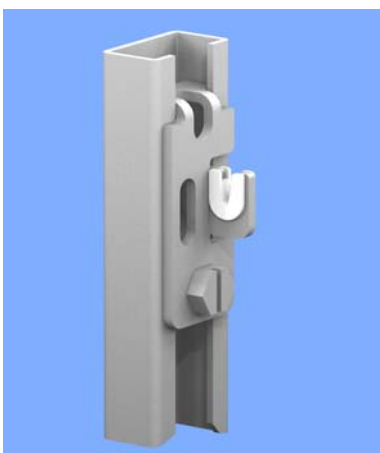
Bracket for heating wall with reinforced baseplate, suitable for profile rail art.190, with sound-absorbing support, promatized

Wall distance	Order number
59 - 74 mm	111/4-S-C

Fastening material included

Thread base plate with clip-springs (460/M8 + hex-head screw M8x16(SR.5214)

Not available from stock



**Art.126-C**

(RC1 & RC2 by VDI 6036)

Bracket for heating walls, suitable for profile rail art.190, with sound-absorbing support, promatized

Wall distance	Order number
29 mm	126-C

Fastening material included

Thread base plate with clip-springs (460/M8 + hex-head screw M8x16(SR.5214)



**KONSOLEN AG**

**CH-4417 ZIEFEN**

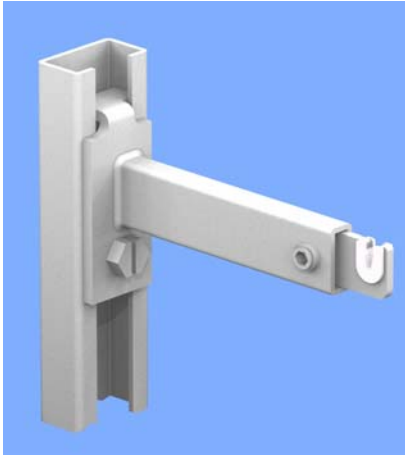
Hauptstrasse 30

Telefon +41 61 935 20 20

Telefax +41 61 935 20 21

**Art.135-C**

(RC1 & RC2 by VDI 6036)



Bracket for heating walls with reinforced baseplate, suitable for profile rail art.190, with sound-absorbing support, promatized

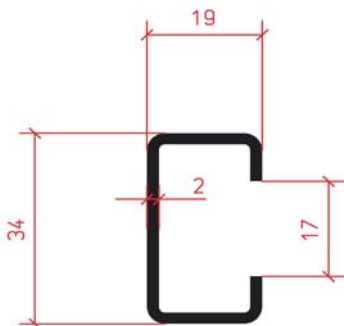
Wall distance	Order number
89 - 129mm	135/06-C
129 - 189mm	135/10-C
189 - 239mm	135/15-C

Fastening material included

Not available from stock

Thread base plate with clip-springs (480/M8) + hex-head screw M8x16 (SR.5214)

**Art.190**

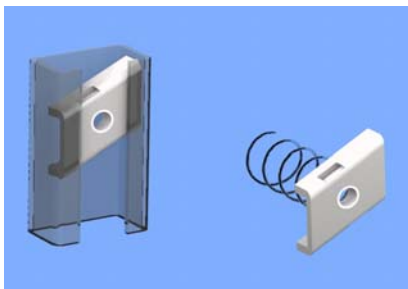


Profile rail (fastening no.8) for heating walls, fixing holes Ø10,5mm, promatized

Length	Order number
200mm	190/02
300mm	190/03
400mm	190/04
500mm	190/05
600mm	190/06
700mm	190/07
800mm	190/08
900mm	190/09
1000mm	190/10

Other length on request

**Art.460**



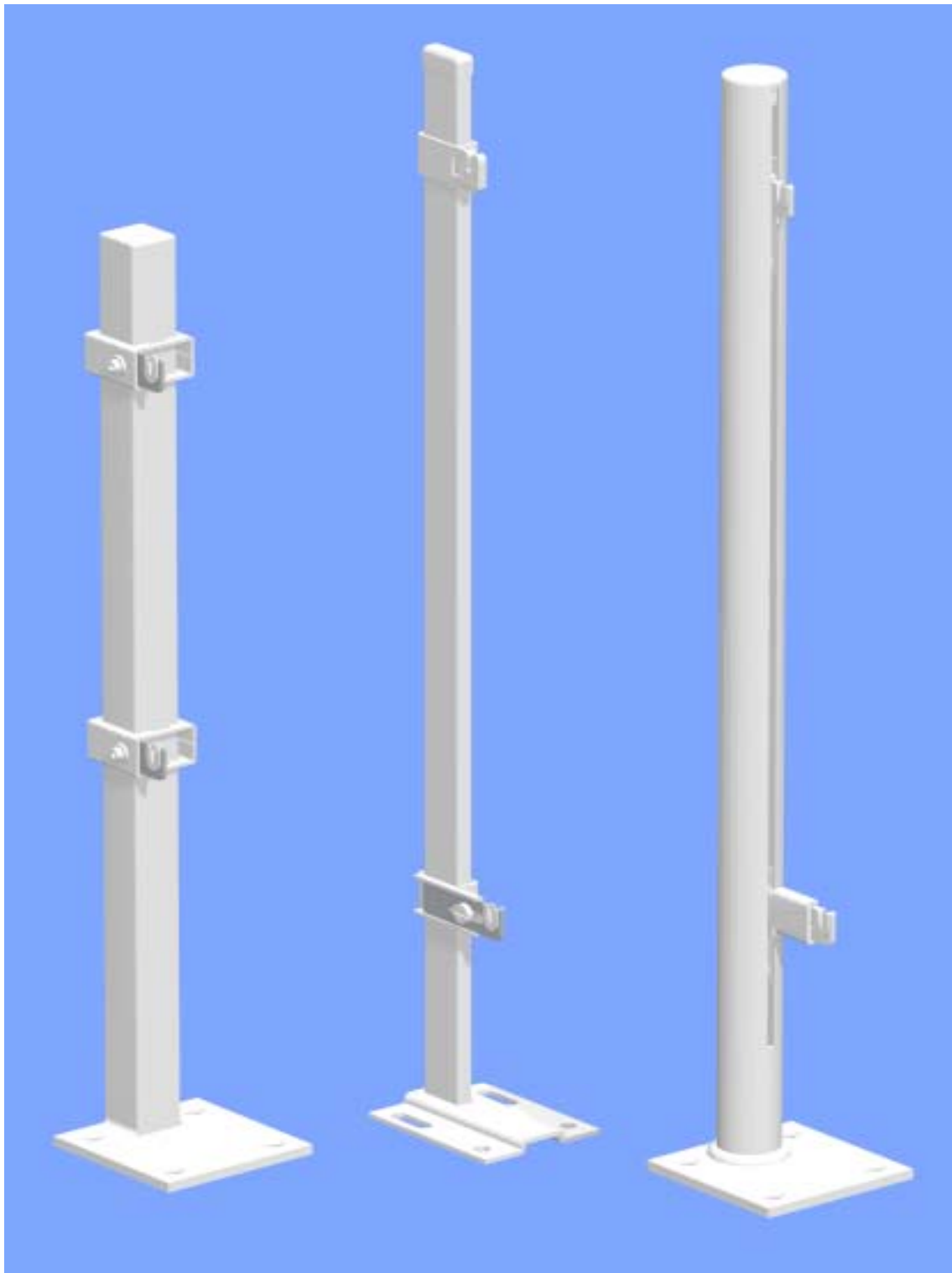
Thread base plate with clip-springs, for profile rail, promatized

Screw thread	Order number
M8	460/M8

## Standing brackets available from stock

For ordering information look at the following page

(RC1 & RC2 by VDI 6036)



**KONSOLEN AG**

Hauptstrasse 30

Telefon +41 61 935 20 20

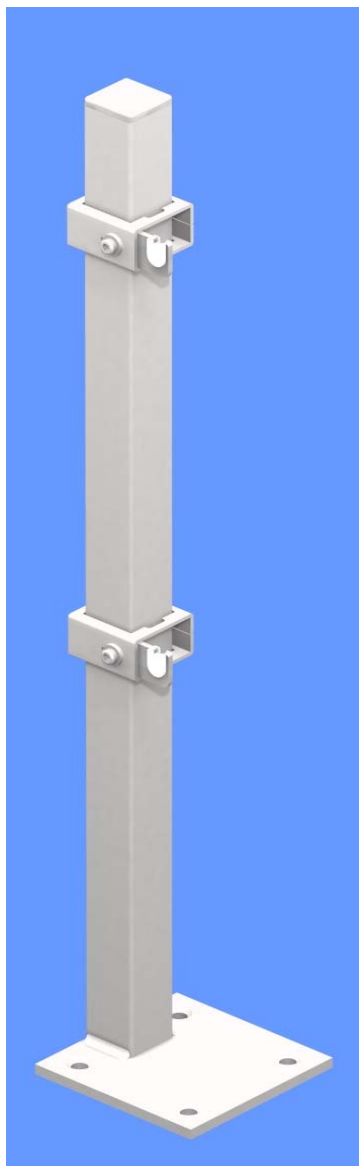
**CH-4417 ZIEFEN**

Telefax +41 61 935 20 21



**Set 2011**

(RC1 & RC2 by VDI 6036)



WA  
mm  
49 - 66  
66 - 86

H=  
mm  
650  
850  
1100

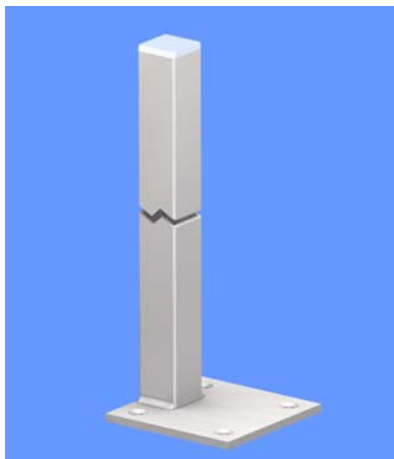
**Set 2011**

consisting of: 1pc art.171 and 2pcs art.125

Standing bracket for heating walls  
with two selectable supports,  
sound-absorbing, adjustable in height  
and depth  
Thermo-coated white version

Other height, version or colour  
on request

WA = wall distance



**Art.171/1-3**

(RC1 & RC2 by VDI 6036)

Standing bracket with tube 30/30mm,  
welded on baseplate 100/100/6mm.  
Thermo-coated white version

H=	Order number
mm	
650	171/1-W
850	171/2-W
1100	171/3-W

Other height, version or colour on request



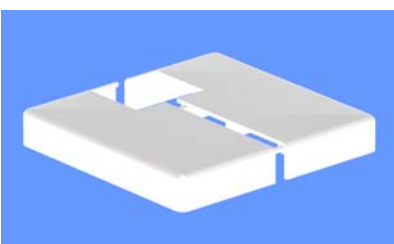
**Art.125/1-3**

(RC1 & RC2 by VDI 6036)

Bracket for heating walls, suitable for  
tube 30/30mm. Adjustable in depth.  
Thermo-coated white version

WA	Order number
mm	
49-66	125/1-W
66-86	125/3-W

Other colour on request  
WA = wall distance



**Art.156/3**

Plastic covering plate suitable for  
baseplate 100/100/6mm

Colour	Order number
white	156/3-W



**Art. 156/4**

Cover rosette (plastic) suitable for  
tube 30/30mm

Colour	Order number
white	156/4-W



**KONSOLEN AG**

Hauptstrasse 30

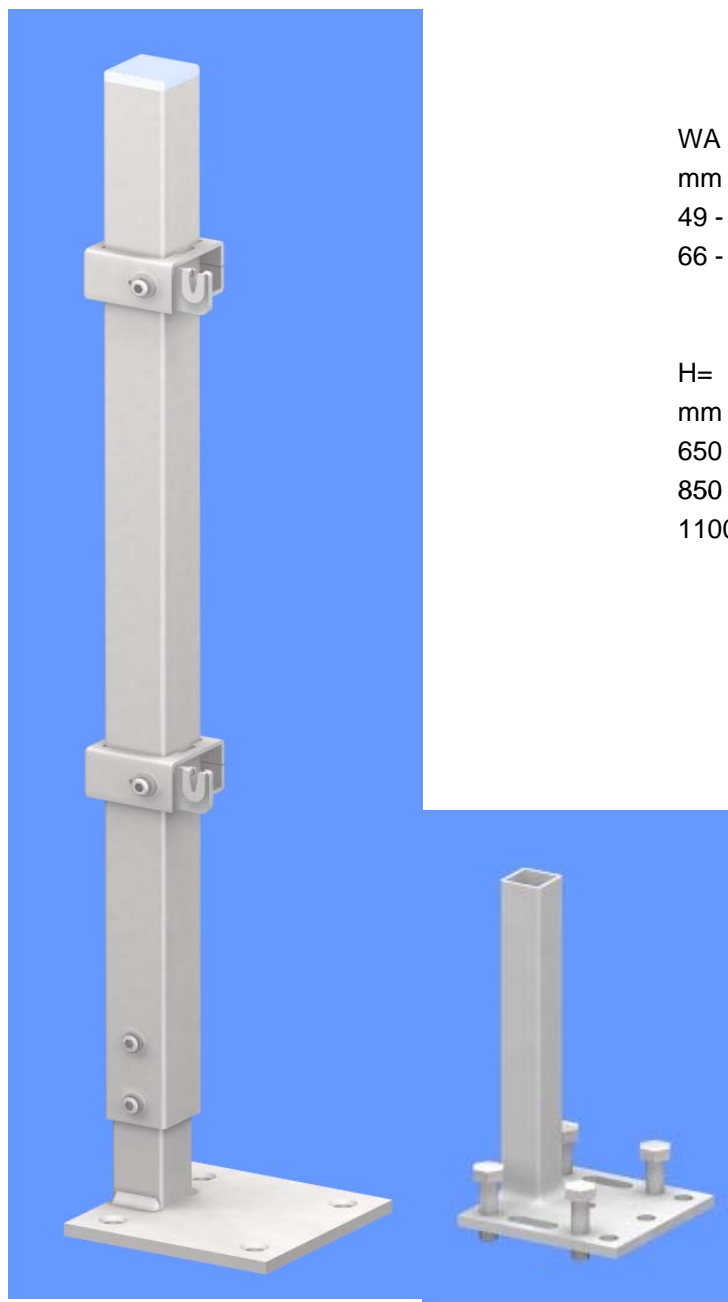
Telefon +41 61 935 20 20

**CH-4417 ZIEFEN**

Telefax +41 61 935 20 21

**Set 2021**

(RC1 & RC2 by VDI 6036)



WA  
mm  
49 - 66  
66 - 86

H=  
mm  
650  
850  
1100

**Set 2021**

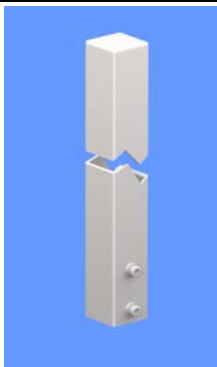
consisting of: 1pc art.170 and 1pc art.FU.1001/1 and 2pcs art.125

Standing bracket for heating walls  
with two selectable supports,  
sound-absorbing, adjustable in height  
and depth.

Thermo-coated white version

Other height, version or colour  
on request

WA = wall distance



**Art.170/1-3**

(RC1 & RC2 by VDI 6036)

Stand pipe (tube) 30/30mm. Thermo-coated white version. Other height, version or colour on request

H= Order number  
mm

630 170/1-W  
830 170/2-W  
1080 170/3-W



**Art.125/1-3**

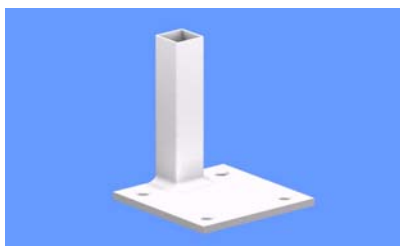
(RC1 & RC2 by VDI 6036)

Bracket for heating walls, suitable for tube 30/30mm. Adjustable in depth. Thermo-coated white version

WA Order number  
mm

49-66 125/1-W  
66-86 125/3-W

Other colour on request.  
WA = wall distance



**Art.FU.1001/1**

(RC1 & RC2 by VDI 6036)

Base for stand pipe (tube) 30/30mm, baseplate with 4 sinkholes Ø 8,5mm. Thermo-coated white version

Order number  
FU.1001/1-W

Other colour on request



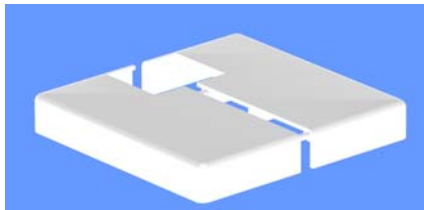
**Art.FU.1002/1**

(RC1 & RC2 by VDI 6036)

Base for stand pipe (tube) 30/30mm. Baseplate with 4 screw threads. Height levelling through set screws, promatized version

Order number  
FU.1002/1

**4pcs set screws and 4pcs metallic wall plugs 8x80mm included**



Covering plate  
see page 1/9



**KONSOLEN AG**

**CH-4417 ZIEFEN**

Hauptstrasse 30

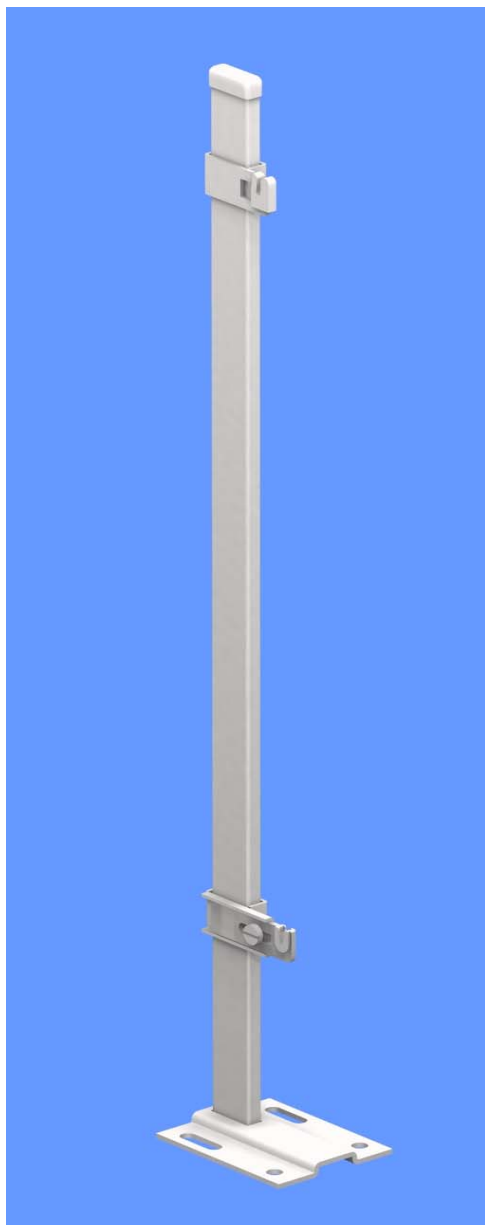
Telefon +41 61 935 20 20

Telefax +41 61 935 20 21

sk 2016

**Set 2001**

(RC1 & RC2 by VDI 6036)



WA  
mm  
49  
63 - 86

H=  
mm  
650  
850  
1100

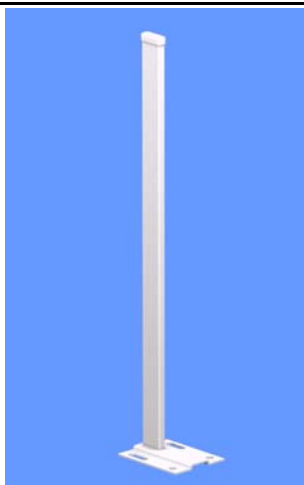
**Set 2001**

consisting of: 1pc art.172 and 2pcs art.127

Standing bracket for heating walls  
with two selectable supports,  
sound-absorbing, adjustable in height.  
With a fix distance WA=49mm or  
adjustable in depth 63-86mm.  
Thermo-coated white version

Other height, version or colour  
on request.

WA = wall distance



**Art.172/1-3**

Standing bracket with tube 30/10mm, welded on baseplate 100/80/3mm. Thermo-coated white version

(RC1 & RC2 by VDI 6036)

H=	Order number
mm	

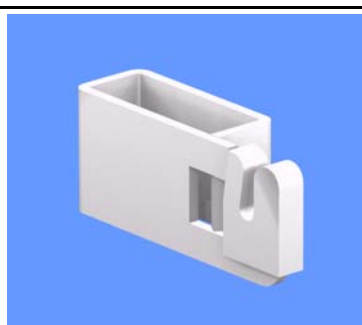
650	172/1-W
-----	---------

850	172/2-W
-----	---------

1100	*172/3-W
------	----------

Other height, version or colour on request

\* Not available from stock



**Art.127/1**

Bracket for heating walls, suitable for tube 30/10mm, fix distance. Thermo-coated white version

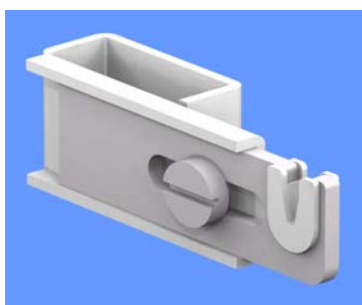
(RC1 & RC2 by VDI 6036)

WA	Order number
mm	

49	127/1-W
----	---------

WA = wall distance

Other colour on request



**Art.127/3**

Bracket for heating walls, suitable for tube 30/10mm. Adjustable in depth. Thermo-coated white version

(RC1 & RC2 by VDI 6036)

WA	Order number
mm	

63 -86	127/3-W
--------	---------

WA = wall distance

Other colour on request

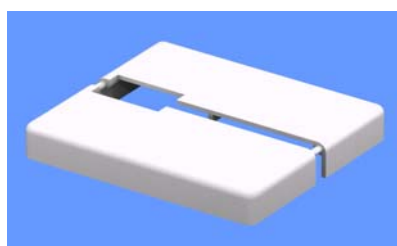


**Art.156/5**

Cover rosette (plastic) suitable for tube 30/10mm

Colour	Order number
--------	--------------

white	156/5-W
-------	---------



**Art. 156/2**

Plastic covering plate suitable for baseplate 100/80mm

Colour	Order number
--------	--------------

white	156/2-W
-------	---------



**KONSOLEN AG**

Hauptstrasse 30

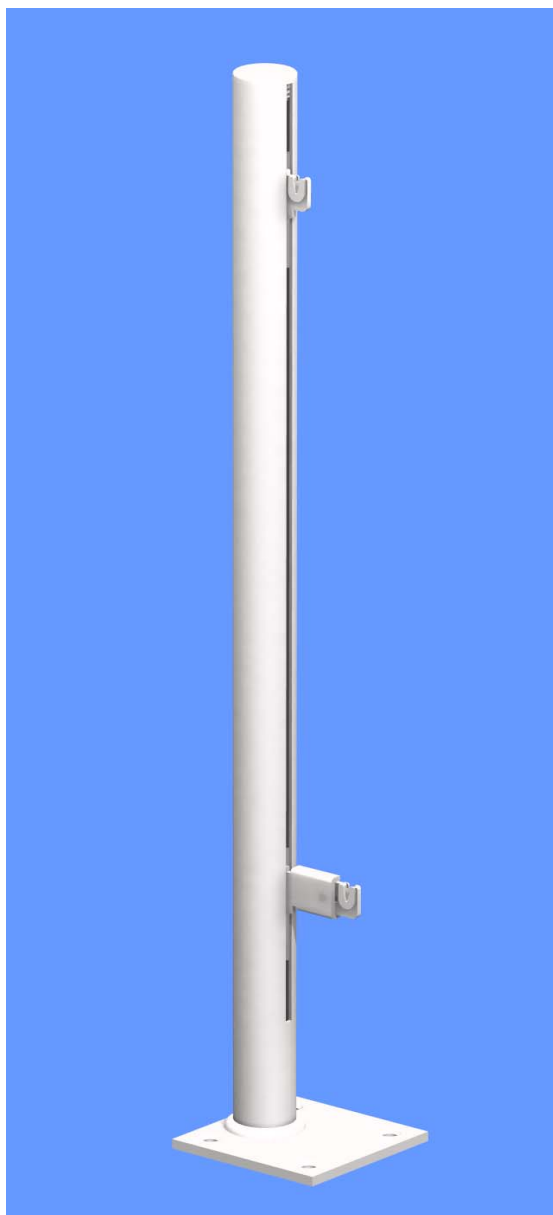
Telefon +41 61 935 20 20

**CH-4417 ZIEFEN**

Telefax +41 61 935 20 21

**Set 2060**

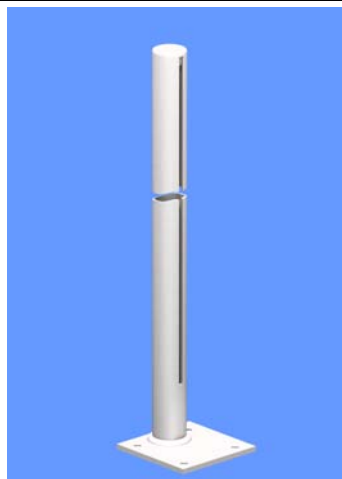
(RC1 &amp; RC2 by VDI 6036)

WA  
mm  
50  
77 - 93H=  
mm  
650  
850  
1100**Set 2060**

consisting of: 1pc art.173 and 1set art.112

Standing bracket for heating walls  
with two selectable supports,  
sound-absorbing, adjustable in height.  
With a fix distance WA=50mm or  
adjustable in depth 77-93mm.  
Thermo-coated white version

Other height, version or colour  
on request  
WA = wall distance



**Art.173/1-3**

(RC1 & RC2 by VDI 6036)

Standing bracket with tube Ø 35mm,  
welded on baseplate 100/100/6mm.  
Thermo-coated white version

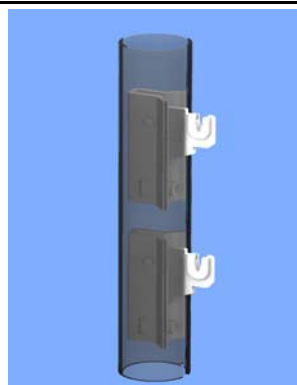
H=	Order number
mm	

650	173/1-W
-----	---------

850	173/2-W
-----	---------

1100	173/3-W
------	---------

Other height, version or colour  
on request



**Art.112/1**

(RC1 & RC2 by VDI 6036)

Sound-absorbing bracket, suitable for  
art.173/1-3-W, fix distance.  
Thermo-coated white version

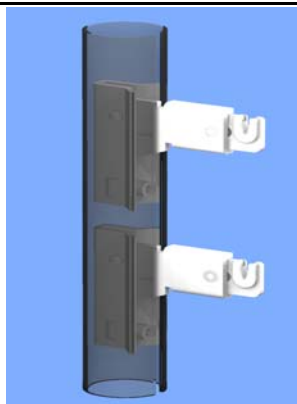
WA	Order number
mm	

\* **Set with 2pcs**

50	*112/1-W
----	----------

WA = wall distance

Other colour on request



**Art.112/4**

(RC1 & RC2 by VDI 6036)

Sound-absorbing bracket, suitable for  
art.173/1-3-W, adjustable in depth.  
Thermo-coated white version

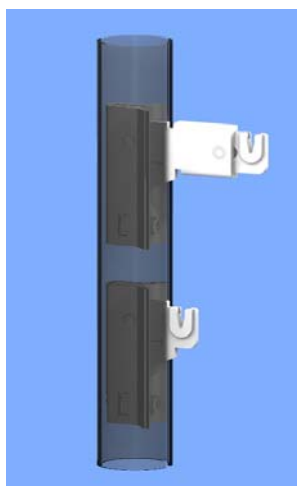
WA	Order number
mm	

\* **Set with 2pcs**

77-93	*112/4-W
-------	----------

WA = wall distance

Other colour on request



**Art.112/1-4**

(RC1 & RC2 by VDI 6036)

Sound-absorbing bracket, suitable for  
art.173/1-173/3. 1 bracket with a fix  
distance, 1 bracket adjustable in depth.  
Thermo-coated white version

WA	Order number
mm	

\* **Set with 2pcs**

50	
77-93	*112/1-4W

WA = wall distance

Other colour on request





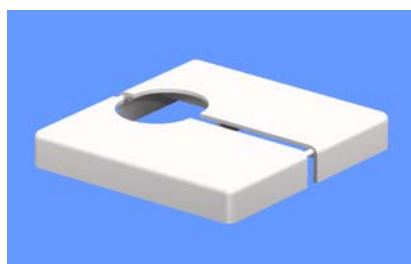
**Art.156/8**

Cover rosette (plastic) suitable for  
tube Ø 35mm

Colour      Order number

white      156/8-W

---

**Art.156/9**

Plastic covering plate suitable for  
baseplate 100/100/6mm

Colour      Order number

white      156/9-W

---

**Art.988**

Hexagonal wrench with spherical  
head S = 4mm  
Extra long version

Order number

988

---



**Art.100**

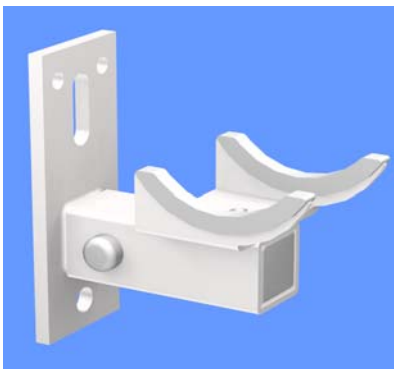
Locking bracket for tubular radiators with screw coupling, promatized or **(-W) thermo-coated white**  
WA=wall distance - beginning of the radiator

(RC1 & RC2 by VDI 6036)

WA	Order number
mm	

38	100/1
	<b>100/1-W</b>

Other colour on request



**Art.101**

Bracket for tubular radiators, 2-6 columns sound-absorbing, adjustable in depth, promatized or **(-W) thermo-coated white**  
WA=wall distance - middle of the radiator

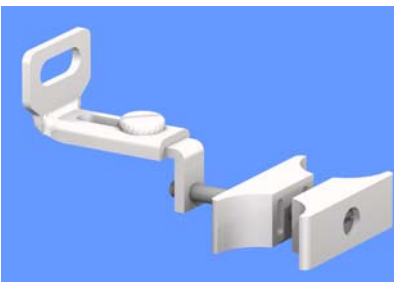
(RC1 & RC2 by VDI 6036)

WA	Order number
mm	

2S - 4S	101/105 <b>(-W)</b>
67-105	

5S - 6S	101/143 <b>(-W)</b>
123-143	

Other colour on request



**Art.102**

Locking bracket for tubular radiators, adjustable in depth and laterally adjustable, promatized or **(-W) thermo-coated white**  
WA=wall distance - beginning of the radiator

(RC1 & RC2 by VDI 6036)

WA	Order number
mm	

30-70	102/30
	<b>102/30-W</b>

Other colour on request



**Art.103**

Bracket for tubular radiators, 2-6 columns sound-absorbing, hubs Ø62mm. Thermo-coated white  
WA=wall distance - middle of the radiator

(RC1 & RC2 by VDI 6036)

WA	Order number
mm	

2S	67	<b>103/067-W</b>
3S	85	<b>103/085-W</b>
4S	105	<b>103/105-W</b>
5S	123	<b>103/123-W</b>
6S	143	<b>103/143-W</b>

Other colour on request





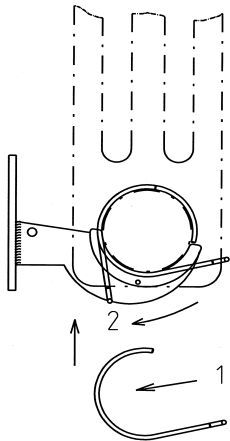
**Art.139/62**

(RC3 by VDI 6036)

Security stop for tubular radiators,  
suitable for art.103/2-6, 137/62

Order number

139/62

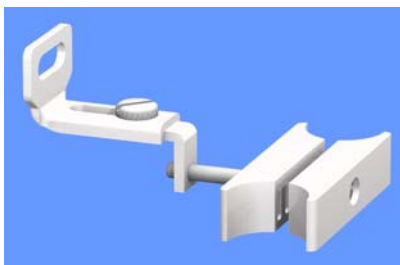


Stainless spring steel

1 hinge security stop bottom-up  
2 turn until security stop engages

**Art.102 KL**

(RC1 & RC2 by VDI 6036)



Locking bracket for tubular radiators,  
version for hospitals,  
adjustable in depth and laterally adjustable,  
promatized or **(W) thermo-**  
**coated white**

Wall distance

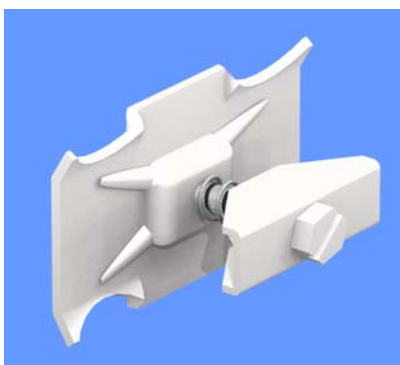
Order number

30 - 70mm

102/30KL

**102/30KL-W**

Other colour on request



**Art.129**

(RC1 & RC2 by VDI 6036)

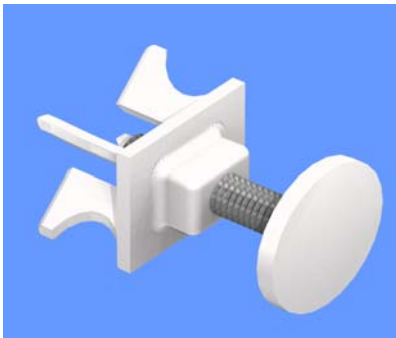
Clamp for tubular radiators,  
promatized or **(W) thermo-**  
**coated white**

Order number

129

**129-W**

Other colour on request



**Art.128**

(RC1 & RC2 by VDI 6036)

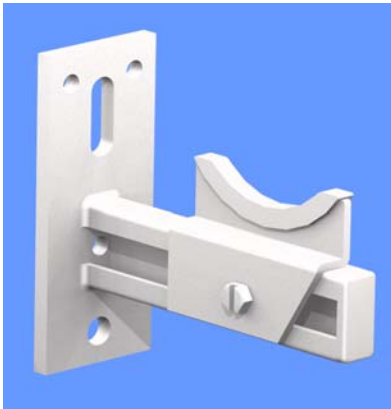
Spacer (distance piece) for tubular radiators with 2-6 columns

Wall distance                      Order number

15-60 mm                              128

Colour: white

Other length on request



**Art.105/62**

(RC1 & RC2 by VDI 6036)

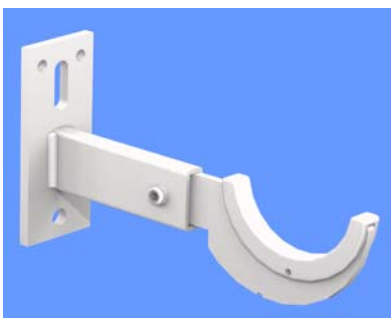
Bracket for tubular radiator with 2-6 columns, wall distance adjustable, promatized or **(-W) thermo-coated white**

WA max,    Order no.    Order number

WA=wall distance - middle of the radiator, hubs Ø 62 mm

50mm	105/62-050	<b>105/62-050-W</b>
70mm	105/62-070	<b>105/62-070-W</b>
90mm	105/62-090	<b>105/62-090-W</b>
110mm	105/62-110	<b>105/62-110-W</b>
130mm	105/62-130	<b>105/62-130-W</b>
150mm	105/62-150	<b>105/62-150-W</b>
170mm	105/62-170	<b>105/62-170-W</b>
190mm	105/62-190	<b>105/62-190-W</b>
210mm	105/62-210	<b>105/62-210-W</b>

Other colour on request



**Art.137/62**

(RC1 & RC2 by VDI 6036)

Bracket for tubular radiator with 2-6 columns, wall distance adjustable, promatized or **(-W) thermo-coated white**

Order number

WA=wall distance - middle of the radiator, hubs Ø 62 mm

**137/62-W**  
137/62

Ordering information:

WA=,type of radiator

Not available from stock

Other colour on request



**KONSOLEN AG**

**CH-4417 ZIEFEN**

Hauptstrasse 30

Telefon +41 61 935 20 20

Telefax +41 61 935 20 21



**Art.130/62**

U-bolt fastening suitable for art.157/62-W, promatized or **(-W) thermo-coated white**

(RC3 by VDI 6036)

Order number

130/62  
**130/62-W**



**Art.157/62-W** (without U-bolt)

Standing bracket for radiators with 2 - 6 columns, sound absorbing, with baseplate 80/80/4mm **(without U-Bolt fastening)** adjustable in height, thermo-coated white. Hubs Ø 62mm

(RC1 & RC2 by VDI 6036)

H = Order number  
min.-max.

65 - 85mm	<b>157/62-065-W</b>
90 - 120mm	<b>157/62-090-W</b>
120 - 180mm	<b>157/62-120-W</b>
180 - 280mm	<b>157/62-180-W</b>
270 - 370mm	<b>157/62-270-W</b>

Ordering information:  
height H

Other colour on request

**Art.156/6-W**

(RC1 & RC2 by VDI 6036)

Cover rosette (plastic) suitable for art.157/62-W  
Colour: white

Order number

**156/6-W**

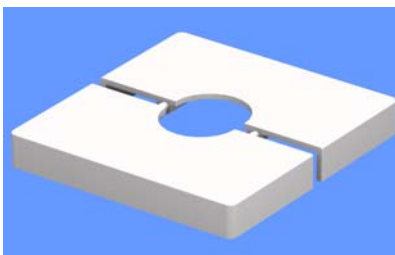


**Art.156/7-W**

Plastic covering plate suitable for baseplate 80/80/4, colour: white

Order number

**156/7-W**



**Art.138**

(RC4 by VDI 6036)



Standing bracket for tubular radiators with U-bolt fastening, base-plate 160/120/8 mm, promatized

Order number

138

Ordering information:

height h= , type of radiator

Not available from stock



**Art.102-S**

(RC1 & RC2 by VDI 6036)

Backholder for tubular radiators, adjustable in depth and laterally adjustable, promatized

Length

Order number

100mm

102-S/100

120mm

102-S/120

140mm

102-S/140

160mm

102-S/160

180mm

102-S/180

200mm

102-S/200



**KONSOLEN AG**

Hauptstrasse 30

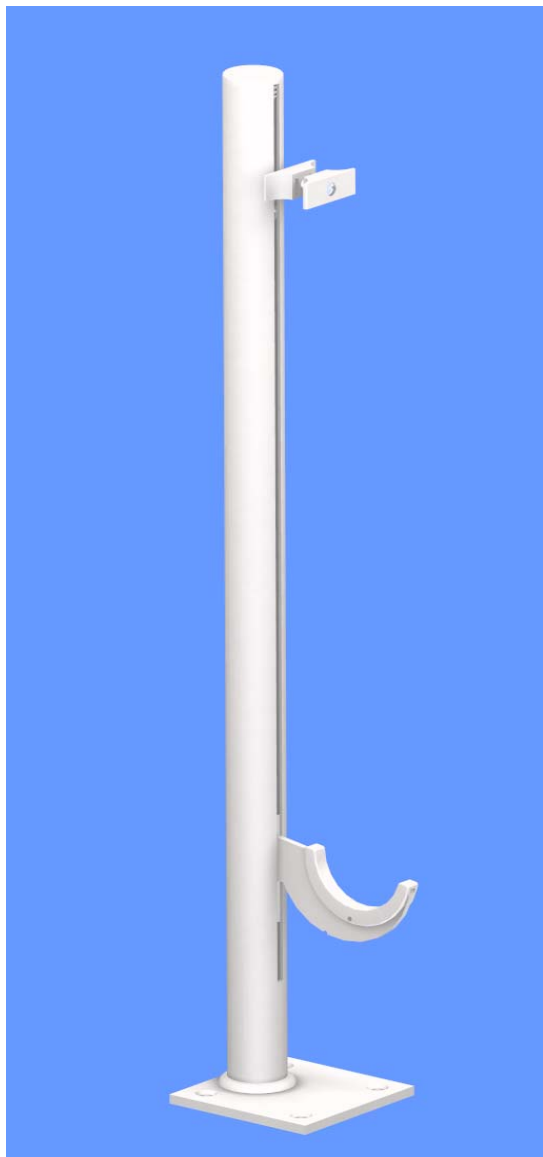
Telefon +41 61 935 20 20

**CH-4417 ZIEFEN**

Telefax +41 61 935 20 21

**Set 2040**

(RC1 & RC2 by VDI 6036)



WA=  
mm

2/S	76
3/S	95
4/S	114
5/S	133
6/S	152

H=  
mm

650  
850  
1100

**Ordering information:**

Wall distance WA=  
Height H=

**Set 2040**

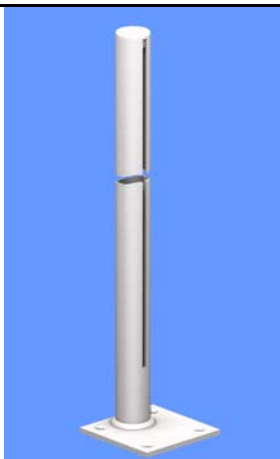
consisting of: 1pc 173 und 1set art.108/62

Standing bracket, sound-absorbing,  
for tubular radiators with  
support column and rear fastener, adjustable  
in height.

Thermo-coated white version

Other height, version or colour  
on request

WA=wall distance - middle of the radiator  
Hubs Ø 62mm



**Art.173/1-3**

(RC1 & RC2 by VDI 6036)

Standing bracket with tube Ø 35mm welded on baseplate 100/100/6mm  
**(-W) thermo-coated white** version.  
 Other height, version or colour on request

H=	Order number
mm	
650	<b>173/1-W</b>
850	<b>173/2-W</b>
1100	<b>173/3-W</b>



**Art.108/62**

(RC1 & RC2 by VDI 6036)

Support for radiators and rear fastener, both for art.173/1-3-W  
**(-W) thermo-coated white** version  
 \* **Set with support and rear fastener**  
 WA=wall distance - middle of the radiator

WA=	Order number
mm	
76	<b>*108/62-076-W</b>
95	<b>*108/62-095-W</b>
114	<b>*108/62-114-W</b>
133	<b>*108/62-133-W</b>
152	<b>*108/62-152-W</b>

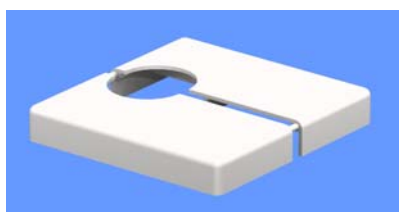
Other colour on request



**Art.156/8**

Cover rosette (plastic) suitable for tube Ø 35mm

Colour	Order number
white	<b>156/8-W</b>



**Art.156/9**

Plastic covering plate suitable for baseplate 100/100/6mm

Colour	Order number
white	<b>156/9-W</b>



**Art.139/62**

(RC3 by VDI 6036)

Security stop for tubular radiators

Stainless spring steel

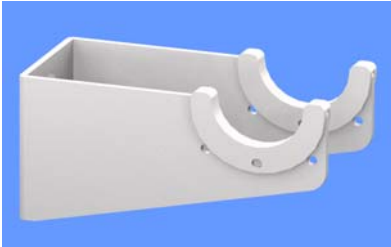
Order number
139/62





**Art. 113/26**

(RC1 & RC2 by VDI 6036)



Round tube wall-support for radiators, with a fix wall distance, promatized or (W) **thermo-coated white**

WA	Order number
30 mm	113/26-030 <b>113/26-030-W</b>
70 mm	113/26-070 <b>113/26-070-W</b>

Other colour on request

**Art.120/32**

(RC1 & RC2 by VDI 6036)



Flat tube wall-support for radiators, with a fix wall distance, promatized or (W) **thermo-coated white**

WA	Order number
35mm	120/32-035 <b>120/32-035-W</b>
50mm	120/32-050 <b>120/32-050-W</b>
88mm	120/32-088 <b>120/32-088-W</b>
110mm	120/32-110 <b>120/32-110-W</b>

Other colour on request

**Art.120/35**

(RC1 & RC2 by VDI 6036)



Flat tube wall-support for radiators, with a fix wall distance, promatized or (W) **thermo-coated white**

WA	Order number
35mm	120/35-035 <b>120/35-035-W</b>
50mm	120/35-050 <b>120/35-050-W</b>
88mm	120/35-088 <b>120/35-088-W</b>
110mm	120/35-110 <b>120/35-110-W</b>

Other colour on request

**Art.140/26**

(RC3 by VDI 6036)

U-bolt fastening suitable for  
art.113/26.

Order number

Material: stainless spring-steel wire

140/26

**Art.140/32**

(RC3 by VDI 6036)

U-bolt fastening suitable for  
art.105/32 and 120/32

Order number

Material: stainless spring-steel wire

140/32

**Art.140/35**

(RC3 by VDI 6036)

U-bolt fastening suitable for  
art.105/35 and 120/35

Order number

Material: stainless spring-steel wire

140/35

**KONSOLEN AG****CH-4417 ZIEFEN**

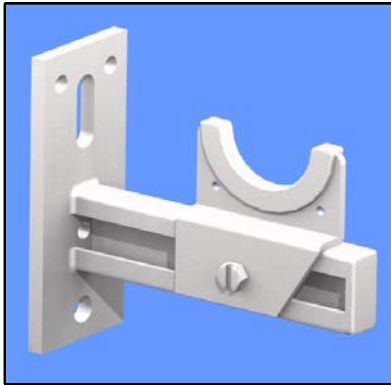
Hauptstrasse 30

Telefon +41 61 935 20 20

Telefax +41 61 935 20 21

**Art. 105/32**

(RC1 & RC2 by VDI 6036)



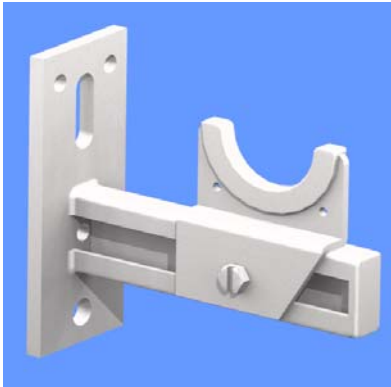
Wall support for radiators,  
wall distance adjustable,  
pomatized or **(-W) thermo-  
coated white.**  
Other colour on request

WA = wall distance

WA max mm	Order number	Order number
50	105/32-050	<b>105/32-050-W</b>
70	105/32-070	<b>105/32-070-W</b>
90	105/32-090	<b>105/32-090-W</b>
110	105/32-110	<b>105/32-110-W</b>
130	105/32-130	<b>105/32-130-W</b>
150	105/32-150	<b>105/32-150-W</b>
170	105/32-170	<b>105/32-170-W</b>
190	105/32-190	<b>105/32-190-W</b>
210	105/32-210	<b>105/32-210-W</b>

**Art.105/35**

(RC1 & RC2 by VDI 6036)



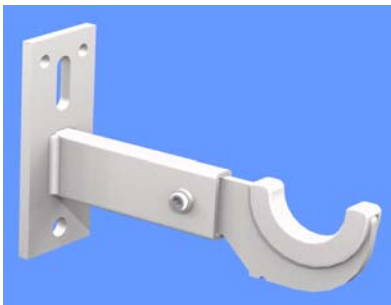
Wall support for radiators,  
wall distance adjustable,  
pomatized or **(-W) thermo-  
coated white.**  
Other colour on request

WA = wall distance

WA max mm	Order number	Order number
50	105/35-050	<b>105/35-050-W</b>
70	105/35-070	<b>105/35-070-W</b>
90	105/35-090	<b>105/35-090-W</b>
110	105/35-110	<b>105/35-110-W</b>
130	105/35-130	<b>105/35-130-W</b>
150	105/35-150	<b>105/35-150-W</b>
170	105/35-170	<b>105/35-170-W</b>
190	105/35-190	<b>105/35-190-W</b>
210	105/35-210	<b>105/35-210-W</b>

**Art. 137**

(RC1 & RC2 by VDI 6036)



Wall support for radiators,  
wall distance adjustable,  
pomatized or **(-W) thermo-  
coated white**

Order number

137  
**137-W**

Ordering information:

WA / Radiator

Not available from stock

WA = wall distance

**Art.133**

(RC1 & RC2 by VDI 6036)



Spacer (distance piece) for flat tube  
radiators Ø 32 mm

Wall distance	Order number
30 - 50mm	133/30
50 - 100mm	133/50



**Art.130/32**

(RC3 by VDI 6036)

**Art.130/35**

U-bolt fastening suitable for art.157-W  
promatized or **(-W) thermo-coated white**

Order number

130/32

**130/32-W**

130/35

**130/35-W**

Other colour on request



**Art.157/32-W** (without U-bolt)

(RC1 & RC2 by VDI 6036)

**Art.157/35-W** (without U-bolt)

(RC1 & RC2 by VDI 6036)

Support for radiators,  
sound-absorbing, with baseplate  
80/80/4 mm,  
**(-W) thermo-coated white**

H =

Order number

min. -max.

65 - 85 mm

**157/32-065-W**

90 - 120mm

**157/32-090-W**

120 - 180mm

**157/32-120-W**

180 - 280mm

**157/32-180-W**

270 - 370mm

**157/32-270-W**

Ordering information:

65 - 85 mm

**157/35-065-W**

90 - 120mm

**157/35-090-W**

120 - 180mm

**157/35-120-W**

hubs Ø

180 - 280mm

**157/35-180-W**

height H

270 - 370mm

**157/35-270-W**

adjustment range

Other colour on request

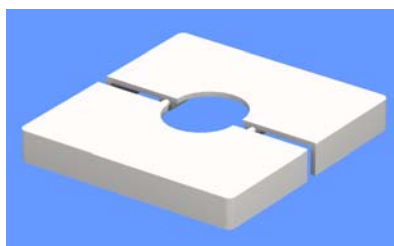


**Art.156/6-W**

Cover rosette (plastic) suitable for  
tube Ø 25mm, colour: white

Order number

**156/6-W**



**Art.156/7-W**

Plastic covering plate suitable for  
art.157-W, colour: white

Order number

**156/7-W**



**KONSOLEN AG**

**CH-4417 ZIEFEN**

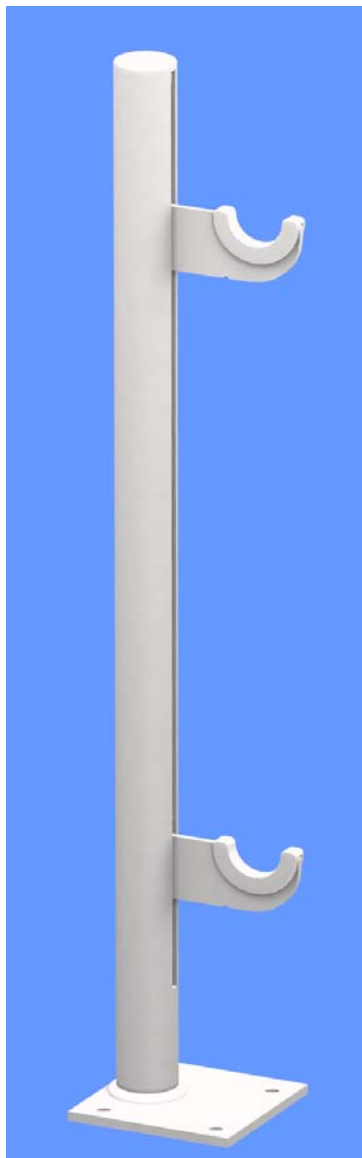
Hauptstrasse 30

Telefon +41 61 935 20 20

Telefax +41 61 935 20 21

**Set 2050**

(RC1 &amp; RC2 by VDI 6036)

WA=  
mm75  
140H=  
mm650  
850  
1100**Ordering information:**wall distance WA=  
height H=**Set 2050**

consisting of: 1pc art.173 and 1set art.136

Standing bracket, sound-absorbing,  
for flat tube radiators with 2 supports,  
WA = 75 or 140mm,  
adjustable in height,  
thermo-coated white version

Other height, version or colour  
on request

WA=wall distance - middle of the radiator  
hubs  $\varnothing$  32 mm



**Art.173/1-3**

Standing bracket with tube Ø 35mm, welded on baseplate 100/100/6mm, **(-W) thermo-coated white** version. Other height, version or colour on request

H=	Order number
mm	
650	<b>173/1-W</b>
850	<b>173/2-W</b>
1100	<b>173/3-W</b>



**Art.136/32**

Support for flat tube radiators, suitable for art.173/1-3-W, hubs Ø 32mm **(-W) thermo-coated white** version. **\* set with 2 supports**  
WA=wall distance - middle of the hub

(RC1 & RC2 by VDI 6036)

WA=	Order number
mm	
75	<b>*136/32-075-W</b>
140	<b>*136/32-140-W</b>

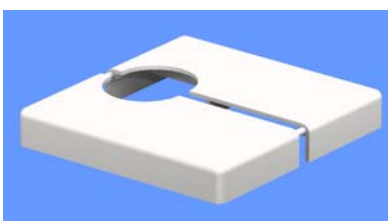
Other colour on request



**Art.156/8**

Cover rosette (plastic) suitable for tube Ø 35mm

Colour	Order number
white	<b>156/8-W</b>



**Art.156/9**

Plastic covering plate suitable for baseplate 100/100/6mm

Colour	Order number
white	<b>156/9-W</b>



**Art.139/32**

Security stop for flat tube radiators

Order number

Stainless spring steel

139/32



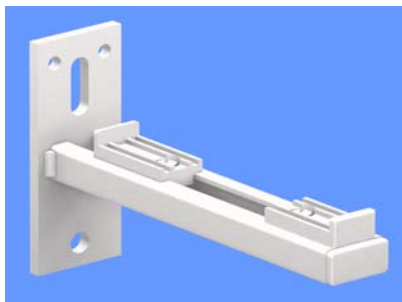
**Art.141**

(RC1 & RC2 by VDI 6036)

Wall support for convectors,  
until depth 260mm, with baseplate  
100/40/5 and plastic insulation,  
individually adjustable in depth,  
promatized or **(W) thermo-**  
**coated white**

Order number

141N  
**141N-W**



Ordering information:

Konv. = type of convector  
wall distance

Other colour on request

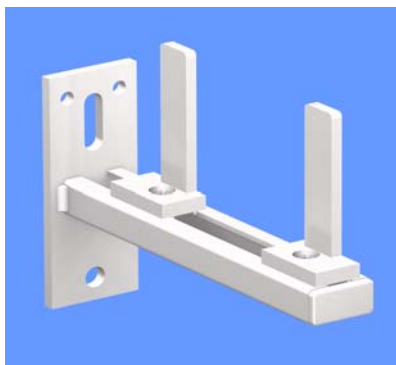
**Art.142**

(RC1 & RC2 by VDI 6036)

Wall support for convectors,  
until depth 260mm, with baseplate  
100/40/5 and plastic forks,  
individually adjustable in depth,  
promatized or **(W) thermo-**  
**coated white**

Order number

142N  
**142N-W**



Ordering information:

Konv. = type of convector  
wall distance

Other colour on request



**KONSOLEN AG**

**CH-4417 ZIEFEN**

Hauptstrasse 30

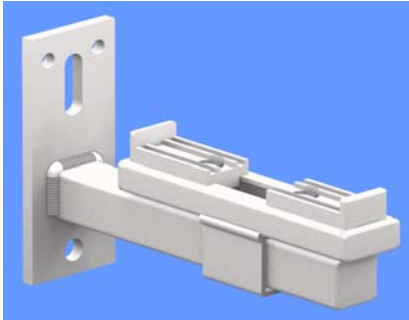
Telefon +41 61 935 20 20

Telefax +41 61 935 20 21

**Art.143**

(RC1 & RC2 by VDI 6036)

Wall support for convectors, sound-absorbing. Wall distance adjustable, plastic insulations individually adjustable in depth, promatized or **(W) thermo-coated white**



Support L mm	Order number
100	143/100 <b>143/100-W</b>
150	143/150 <b>143/150-W</b>
200	143/200 <b>143/200-W</b>
250	143/250 <b>143/250-W</b>

Ordering information:

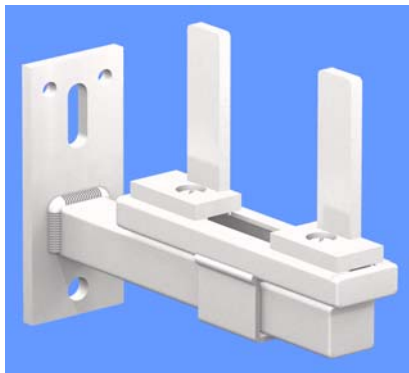
Support L , Conv. = depth of convector

Other colour on request

**Art.144**

(RC1 & RC2 by VDI 6036)

Wall support for convectors, sound-absorbing. Wall distance adjustable, plastic forks individually adjustable in depth, promatized or **(W) thermo-coated white**



Support L mm	Order number
100	144/100 <b>144/100-W</b>
150	144/150 <b>144/150-W</b>
200	144/200 <b>144/200-W</b>
250	144/250 <b>144/250-W</b>

Ordering information:

Support L , Conv. = depth of convector

Other colour on request



**Art.149**

(RC1 & RC2 by VDI 6036)



Standing bracket for convectors, with plastic insulations - individually adjustable in depth. Sound-absorbing, adjustable in height (H), with baseplate 80/80/4 mm, promatized or **(W) thermo-coated white**

Height H mm	Order number
65-90	149/065 <b>149/065-W</b>
90-120	149/090 <b>149/090-W</b>
120-180	149/120 <b>149/120-W</b>
180-270	149/180 <b>149/180-W</b>
270-370	149/270 <b>149/270-W</b>

Ordering information:

Height H , conv. = depth of convector

Other colour on request

**Art.150**

(RC1 & RC2 by VDI 6036)



Standing bracket for convectors, with plastic forks - individually adjustable in depth. Sound-absorbing, adjustable in height (H), with baseplate 80/80/4 mm, promatized or **(W) thermo-coated white**

Height H mm	Order number
65-90	150/065 <b>150/065-W</b>
90-120	150/090 <b>150/090-W</b>
120-180	150/120 <b>150/120-W</b>
180-270	150/180 <b>150/180-W</b>
270-370	150/270 <b>150/270-W</b>

Ordering information:

Height H , conv. = depth of convector

Other colour on request



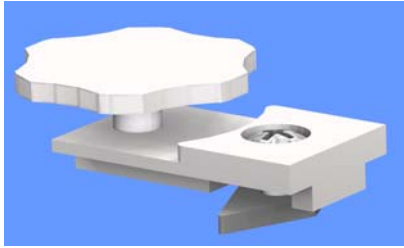
**KONSOLEN AG**

Hauptstrasse 30

Telefon +41 61 935 20 20

**CH-4417 ZIEFEN**

Telefax +41 61 935 20 21



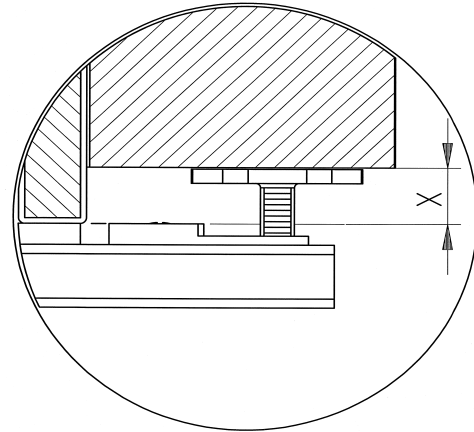
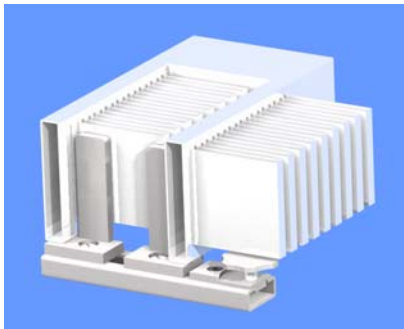
**Art.151**

Height-levelling piece to settle the vertical difference manifold - lamellas = X

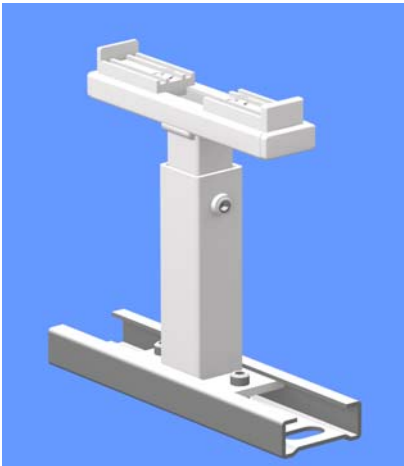
(RC1 & RC2 by VDI 6036)

Order number

151



assembling example



**Art.152**

Standing bracket for convectors, sound-absorbing, with C - profile rail L = 150mm. Height (H) and plastic insulations adjustable, promatized or **(-W) thermo-coated white**

C - profile rail is promatized

(RC1 & RC2 by VDI 6036)

Height H mm	Order number
105-135	152/105
	<b>152/105-W</b>
135-190	152/135
	<b>152/135-W</b>
190-285	152/190
	<b>152/190-W</b>
285-385	152/285
	<b>152/285-W</b>

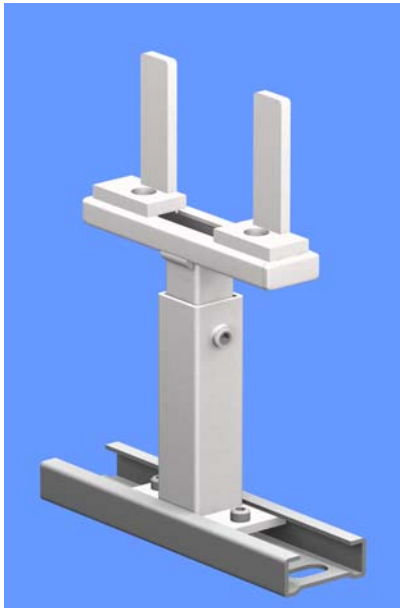
Ordering information:

Height H , conv. = depth of convector

Other colour on request

**Art.153**

(RC1 & RC2 by VDI 6036)



Standing bracket for convectors, sound-absorbing, with C - profile rail L = 150mm. Height (H) and plastic forks adjustable, promatized or **(-W) thermo-coated white**

C - profile rail is promatized

Height H mm	Order number
105-135	153/105 <b>153/105-W</b>
135-190	153/135 <b>153/135-W</b>
190-285	153/190 <b>153/190-W</b>
285-385	153/285 <b>153/285-W</b>

Ordering information:

Height H , conv. = depth of convector

Other colour on request

**Art.154**

(RC1 & RC2 by VDI 6036)



Standing bracket for convectors, sound-absorbing, with C - profile rail L = 300mm. For convectors with a depth over 260mm, height (H) and plastic insulations adjustable, promatized or **(-W) thermo-coated white**

C - profile rail is promatized

Height H mm	Order number
105-135	154/105 <b>154/105-W</b>
135-190	154/135 <b>154/135-W</b>
190-285	154/190 <b>154/190-W</b>
285-385	154/285 <b>154/285-W</b>

Ordering information:

Height H , conv. = depth of convector

Other colour on request



**KONSOLEN AG**

**CH-4417 ZIEFEN**

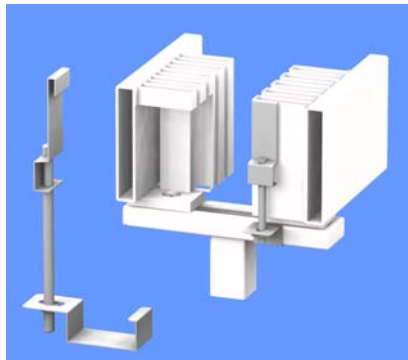
Hauptstrasse 30

Telefon +41 61 935 20 20

Telefax +41 61 935 20 21

**Art.155/1**

(RC3 by VDI 6036)



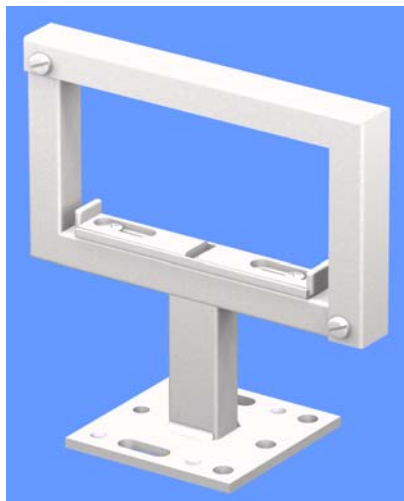
Hold-down device for convectors, suitable for wall supports and standing brackets, promatized

Order number

155/1

**Art.145**

(RC1 & RC2 by VDI 6036)



Standing bracket for convectors, with a covering frame, baseplate 100/100/6mm with sound-absorbing plastic insulation, promatized

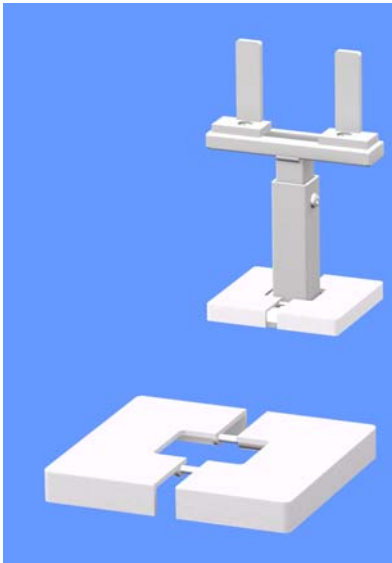
Order number

145

Ordering information:

Type of convector, height H, frame b

**Art.156/0**



Plastic covering plate suitable for baseplate 80/80/4 mm

Order number

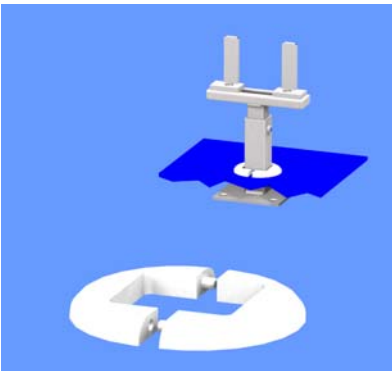
156/0-S  
156/0-W

Version: black (Art.156/0-S)

Version: white (Art.156/0-W)

---

**Art.156/1**



Cover rosette (plastic) for convectors and standing radiators (brackets)

Order number

156/1-S  
156/1-W

Version: black (Art.156/1-S)

Version: white (Art.156/1-W)



**KONSOLEN AG**

**CH-4417 ZIEFEN**

Hauptstrasse 30

Telefon +41 61 935 20 20

Telefax +41 61 935 20 21

**Art.158**

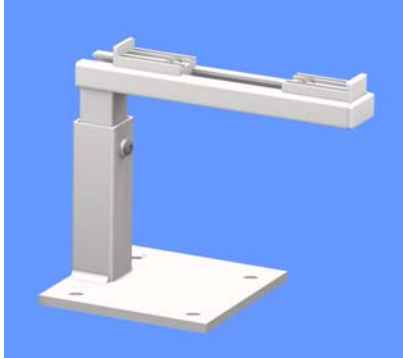
(RC1 & RC2 by VDI 6036)

Standing bracket for convectors, sound-absorbing, with baseplate 100/100/6mm. WA=, height (H=) and plastic insulations (Konv.=) individually adjustable in depth, promatized or **(W) thermo-coated white**

Order number

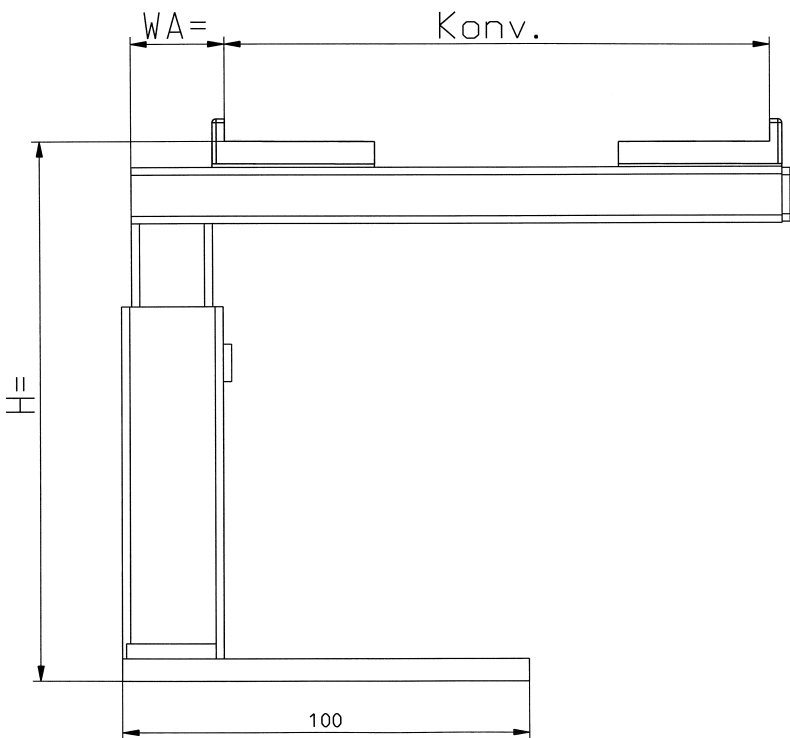
158

**158-W**



Other colour on request

Not available from stock



Ordering information:

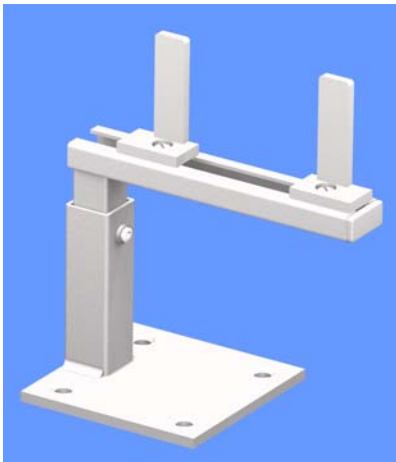
Height H=

Konv. = Depth of convector

Wall distance WA=

**Art.159**

(RC1 & RC2 by VDI 6036)



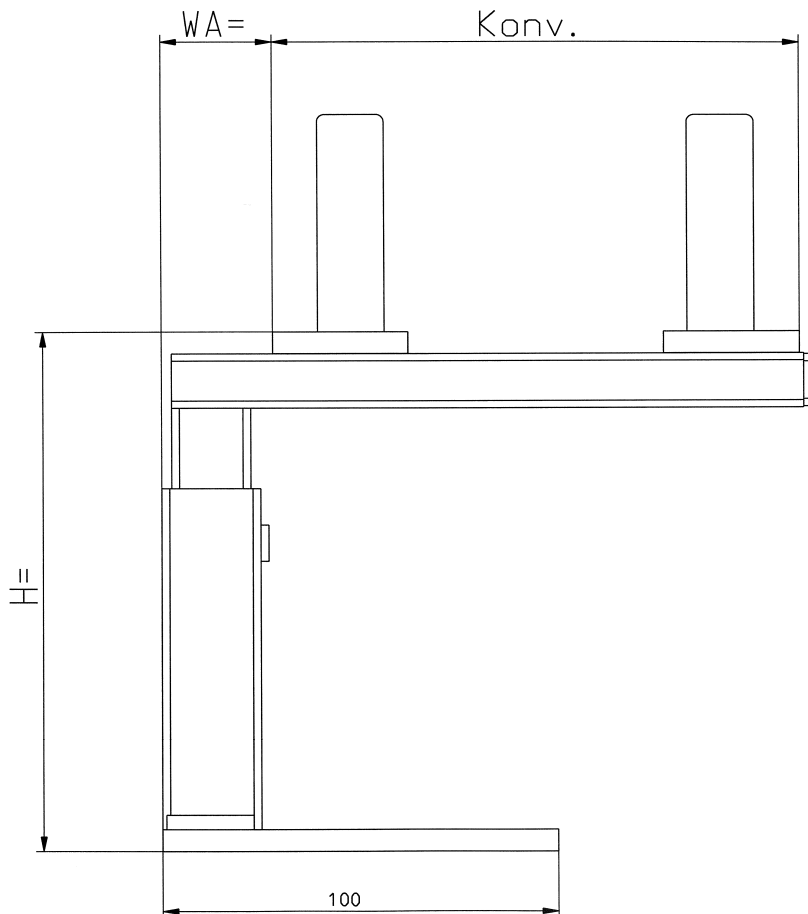
Standing bracket for convectors, sound-absorbing, with baseplate 100/100/6mm. WA=, height (H=) and plastic forks (Konv.=) individually adjustable in depth, promatized or **(W) thermo-coated white**

Order number

159  
**159-W**

Other colour on request

Not available from stock



Ordering information:

Height H=

Konv. = Depth of convector

Wall distance WA=



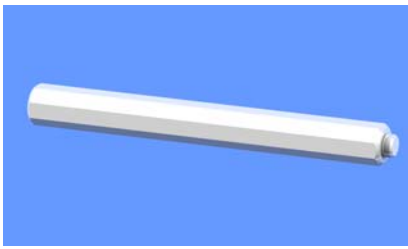
**KONSOLEN AG**

**CH-4417 ZIEFEN**

Hauptstrasse 30

Telefon +41 61 935 20 20

Telefax +41 61 935 20 21

**Art.950**

Tool to drive for art.106

Order number

950

---

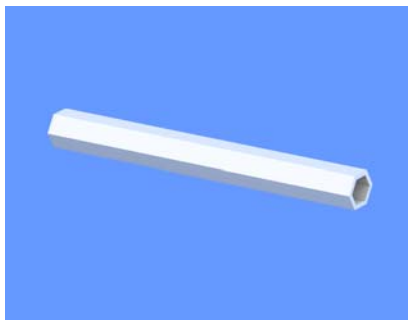
**Art.951**

Tool to drive for art. 107

Order number

951

---

**Art.955**

Hexagon pipe wrench for art.106

Order number

955

---

**Art.988**Hexagon wrench key with  
spherical head S = 4 mm,  
extra long version

Order number

988

---

**KONSOLEN AG****CH-4417 ZIEFEN**

Hauptstrasse 30

Telefon +41 61 935 20 20

Telefax +41 61 935 20 21